

## OVEN RANGES



4 Burners with Oven  
AT80G4B-O



6 Burners with Oven  
AT80G6B-O



8 Burners with Oven  
AT80G8B-O

### Optional wire shelving



AT80G4B-O / AT80G8B-O  
WIRE13



AT80G6B-O  
WIRE12

### Optional drop on hotplate



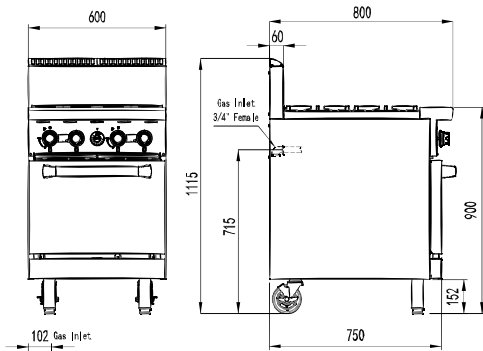
GRID30  
289mm x 136mm x 722mm

## FEATURES

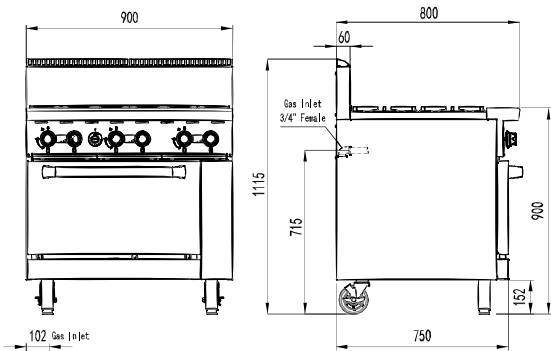
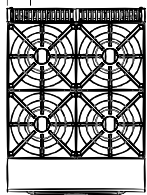
- Constructed in 304 stainless steel front back and sides
- Stainless kick plate including back guard and high shelf
- Heavy duty constructed frame
- Tall stainless steel splash back
- Standard flame failure
- Heavy duty burners with a stable flame and standby pilots
- Stainless steel tubing for burners and pilots
- Easy to use temp controls
- Heavy duty cast iron trivets
- Heavy duty rear castors
- Oven pilot with 100% safety shut off
- Oven temperature control range 100 ~ 300 degrees celsius
- Manual ignition
- Piezo ignitors on oven only
- Adjustable stainless steel legs
- 3/4 inch gas inlet
- Multiple position oven rack guides
- Comes with one chrome rack per oven
- Static oven
- Stainless steel legs
- Available in NG and LPG



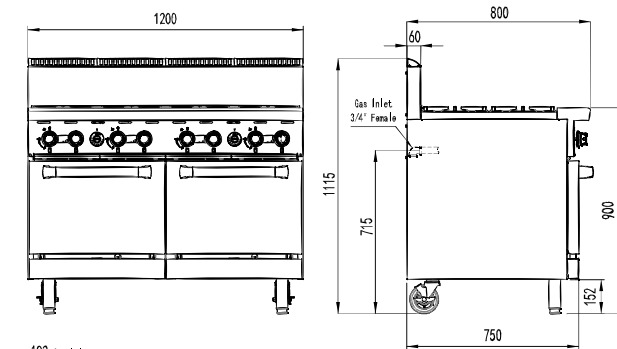
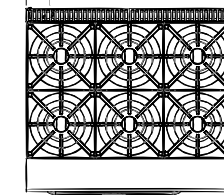
# OVEN RANGES



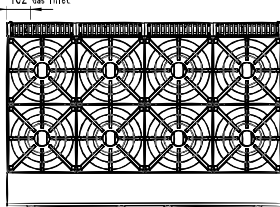
**AT80G4B-O**



**AT80G6B-O**



**AT80G8B-O**



2 YEARS WARRANTY ON ALL PARTS AND LABOUR  
EXTRA 2 YEARS WARRANTY ON PARTS  
WHEN YOU REGISTER WITH US ONLINE



AUSTRALIA AND NEW ZEALAND  
GAS SAFETY CERTIFICATION  
SAI-400248 AS 4563:2004 SAI Global

## AT80G4B-O-NG/LPG

## AT80G6B-O-NG/LPG

Gas Type	NG/LPG	NG/LPG
Gas Output Mj/h	Per burner: 28 / Oven: 26	Per burner: 28 / Oven: 29
Total Power Output Mj/h	Per burner: 112 / Oven: 26	Per burner: 168 / Oven: 29
Dimensions(mm)	W600 x D800 x H1115, 130kg	W900 x D800 x H1115, 174kg
Packaging Dimensions(mm)	W685 x D995 x H1025, 176kg	W985 x D995 x H1025, 232.5kg

## AT80G8B-O-NG/LPG

Gas Type	NG/LPG
Gas Output Mj/h	Per burner: 28 / Oven: 26
Total Power Output Mj/h	Per burner: 224 / Oven: 52
Dimensions(mm)	W1200 x D800 x H1115, 242kg
Packaging Dimensions(mm)	W1285 x D995 x H1025, 307.3kg

When placing your order, please indicate the gas type (NG or LPG)  
by adding it to the end of the product code e.g. "-NG"

\* All prices are EX-GST