

## GCE106D Combi oven

### CONSTRUCTION FEATURES

- Tightness chamber with radiused corners
- Total thermic insulation with rock or glass wool
- Long lasting front seals made up of food grade of high heat resistance
- Removable side racks to facilitate cleaning
- Internal drain for easy cleaning
- Ventilated heating provided by high efficiency protected heating elements
- Snap-shut door
- Adjustable feet
- Easy access to facilitate maintenance and repair
- Double low-emission glass door with internal ventilation
- Openable inside glass of the door
- Condensation drip tray under the door and connected to the oven drainage system.

### FUNCTIONAL FEATURES

- Electronic control panel with digital display, keys and knob
- Simplified, user-friendly controls
- Periodic reversal of direction of rotation of the fan for better air distribution
- Automatic stopping of fans when the door is opened
- End-of-cycle buzzer
- Chamber with safety thermostat
- Operating temperature: from 30°C to 280°C in Convection mode, from 30°C to 280°C in Mixed Steam - Convection mode, from 30°C to 130°C in Direct Steam mode
- The cooking program can be divided into different phases
- Delta T function
- Automatic humidity exhaust system after cooking
- Self-diagnosis system
- Steam condensation system
- Chamber cooling program
- IdealWarm function: the intelligent temperature decrease in the cavity at the end of the cooking cycle allows perfect warm holding
- Climachef system
- FlashDry instant dehumidification function of the chamber.
- PadLock: key lock system with password
- ProTime system allows you to set the date and the time you want the oven to preheat or start working.
- Glazed door plus lighting
- Removable GN1/1 tray racks

### OPTIONS & ACCESSORIES







- |  |  |   |
|--|--|---|
| <input type="checkbox"/> Supports                              | <input type="checkbox"/> Needle core probe         | <input type="checkbox"/> Stacking kit                                 |
| <input type="checkbox"/> Built-in hand shower and probe drawer | <input type="checkbox"/> sous-vide valve           | <input type="checkbox"/> Integrated water storage tank                |
| <input type="checkbox"/> EcoWash self-cleaning system          | <input type="checkbox"/> External hand shower      | <input type="checkbox"/> USB port                                     |
| <input type="checkbox"/> Core probe                            | <input type="checkbox"/> Integral quenching system | <input type="checkbox"/> SpeedGrade fan speed adjustment              |
| <input type="checkbox"/> Multipoint core probe                 | <input type="checkbox"/> Door lock                 | <input type="checkbox"/> FitPower - System for the energy calibration |
| <input type="checkbox"/> Needle core probe                     | <input type="checkbox"/> Built-in sliding kit      |   |
|  | <input type="checkbox"/> Wall brackets kit         |   |

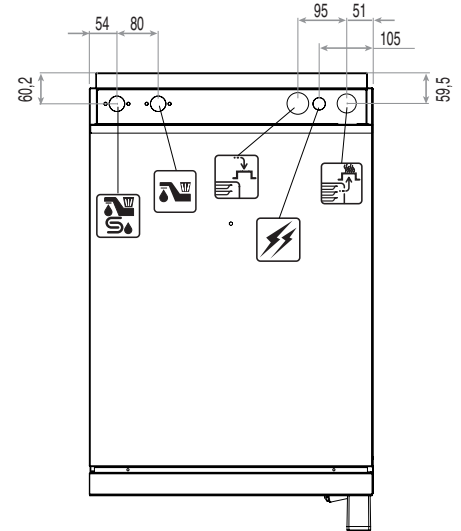
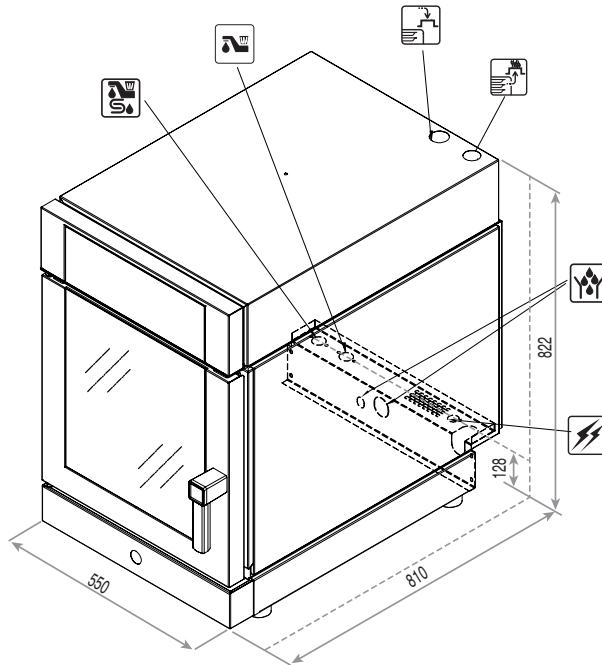
#### MODULINESRL



moduline

**TECHNICAL  
INSTALLATION  
DIAGRAM**

- Electricity supply cable inlet 
- Safety vent humidity 
- Chamber drain and condensation drain tray 
- Softened water inlet 
- Water inlet 
- Adjustable vent for excess humidity 



**Overall dimensions  
(W x D x H) - mm**

550 x 810 x 822

**Trays capacity**

6 x GN 1/1

**Power  
[kW]**

7,7

**Power supply**

3N AC 400V 50Hz

**Rated voltage  
[Vac]**

3N 400

**Total input  
[kW]**

7,7

**Amps.  
[A]**

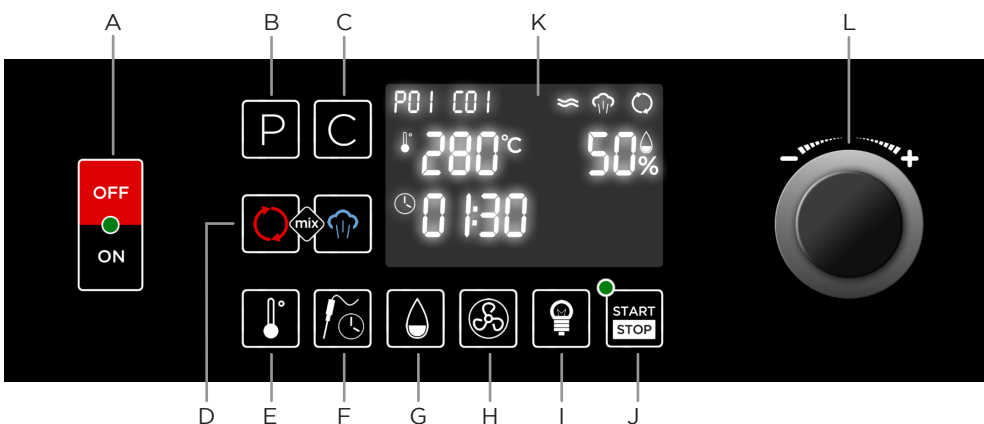
11,1

**Connecting wire  
min. section (type  
H07 RN-F) [mm<sup>2</sup>]**

5 x 1,5

**Water pressure  
[kPa]**

150÷500



- A ON/OFF switch
- B Program and back key
- C Cycle key
- D Cooking mode key
- E Cavity temperature key
- F Probe / Time key
- G Humidity key
- H Fan speed key
- I Light key
- J START/STOP key
- K Digital display
- L Knob to set and enter key

**MODULINESRL**

Via dell'Industria 11, Z.I. San Giacomo di Veglia 31029 Vittorio Veneto (TV) - ITALY  
tel. +39 0438 5063 - fax +39 0438 912 323 - info@moduline.it - www.moduline.it